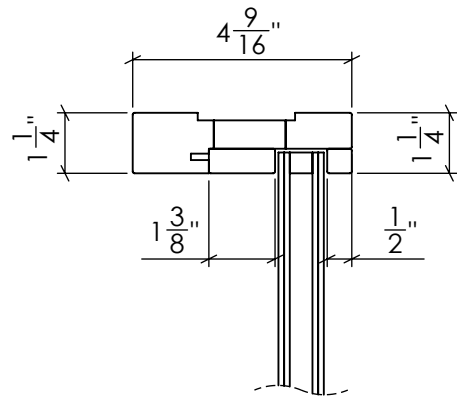
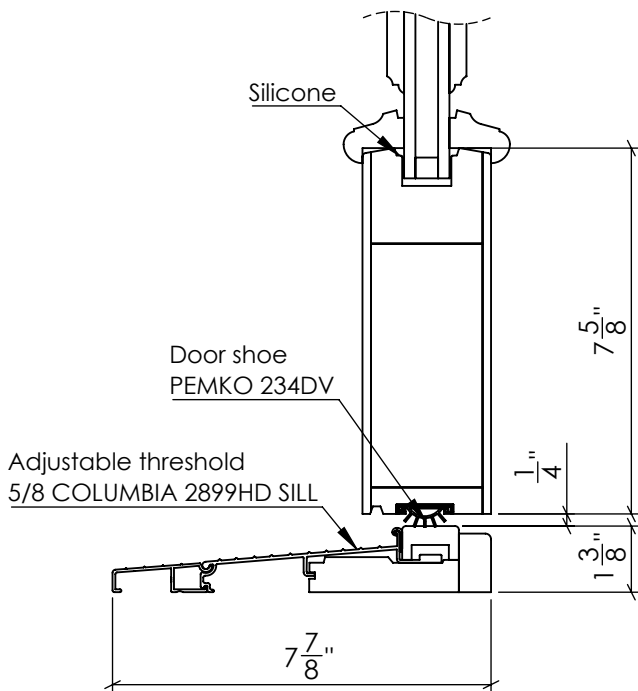


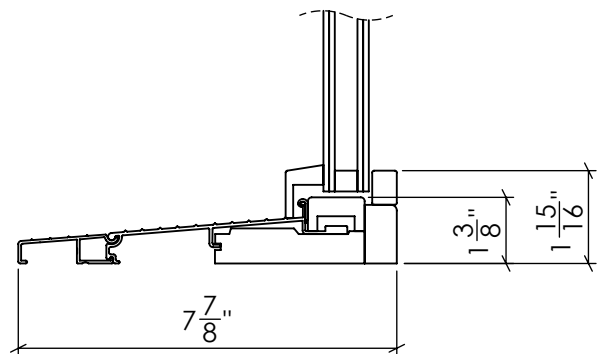
Head detail B-B



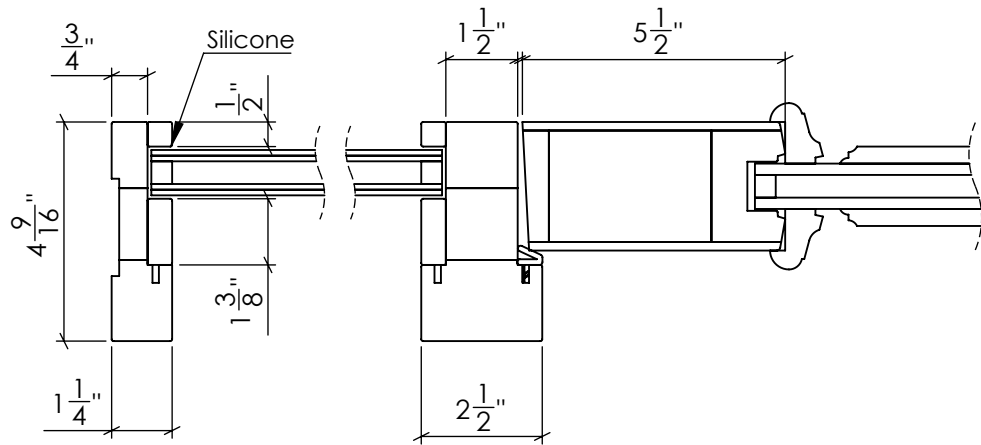
Head detail C-C



Sill detail B-B



Sill detail C-C



Jamb detail A-A