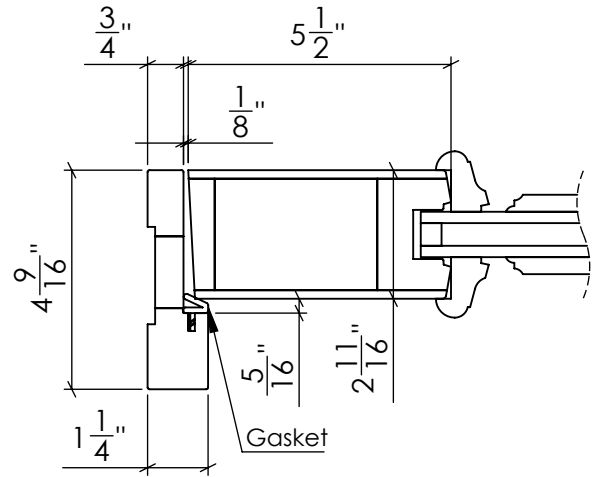
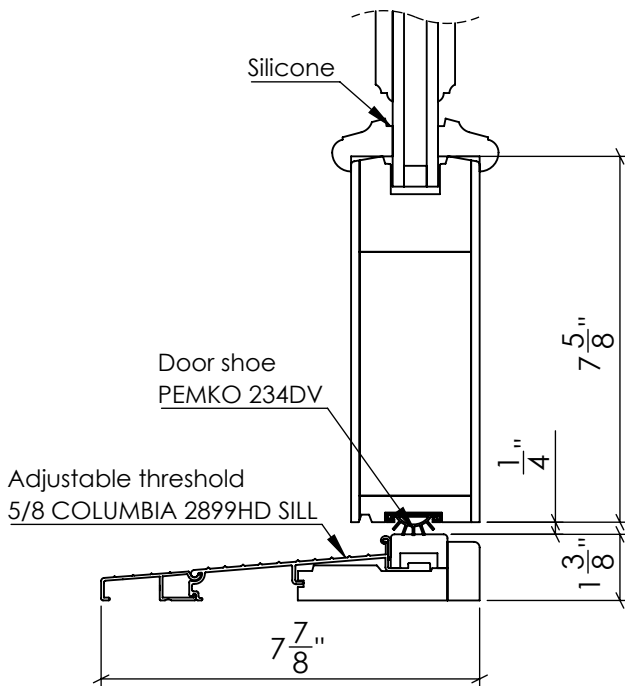


Head detail B-B



Jamb detail A-A



Sill detail B-B