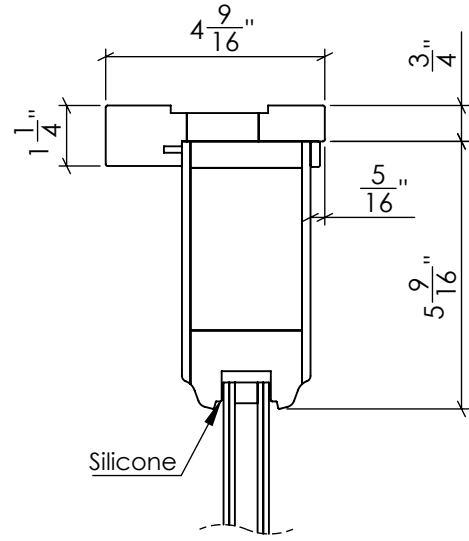
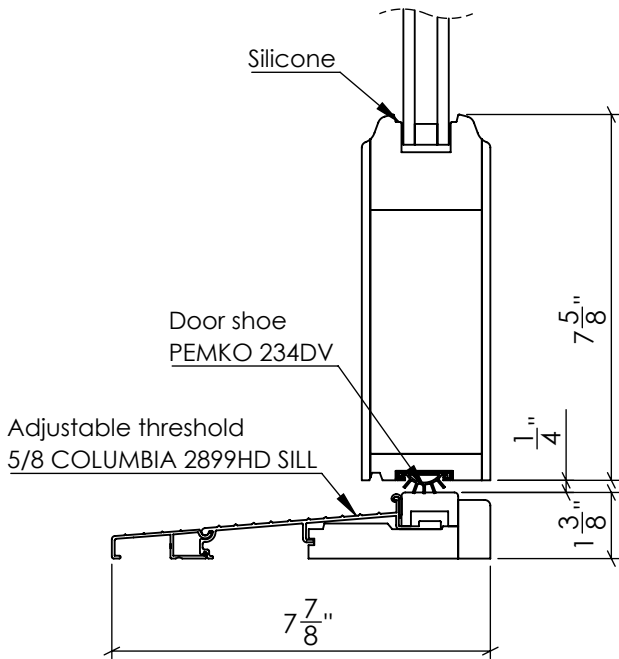


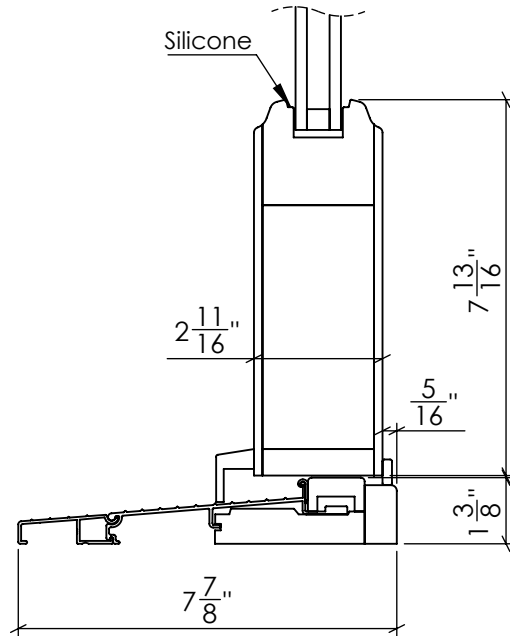
Head detail C-C



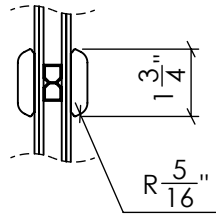
Head detail D-D



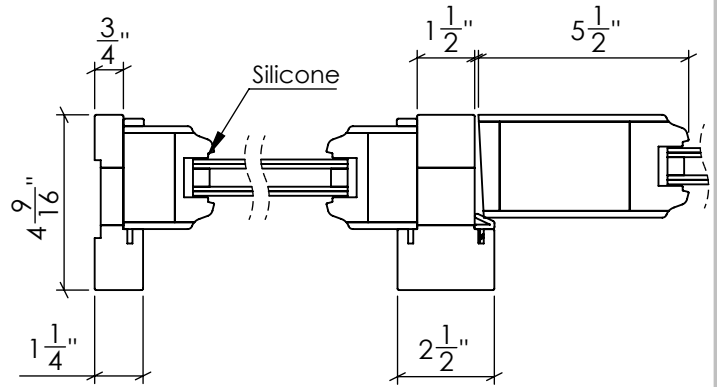
Sill detail C-C



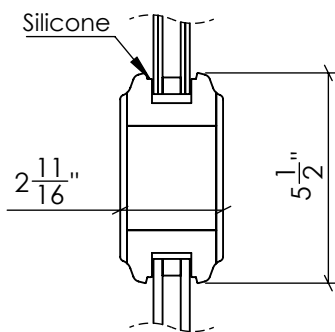
Sill detail D-D



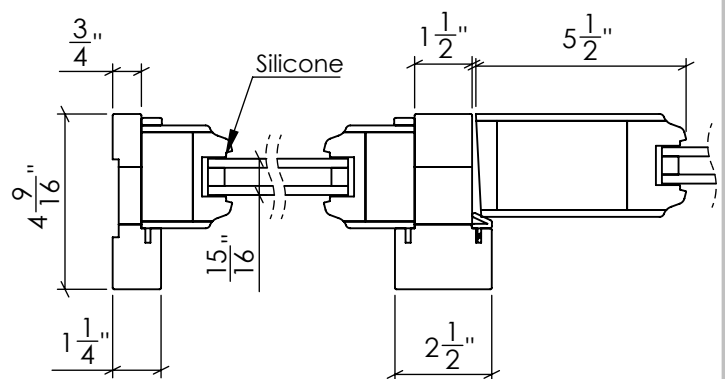
Divided Lite C-C / D-D



Jamb detail A-A



Intermediate Rail C-C / D-D



Jamb detail B-B