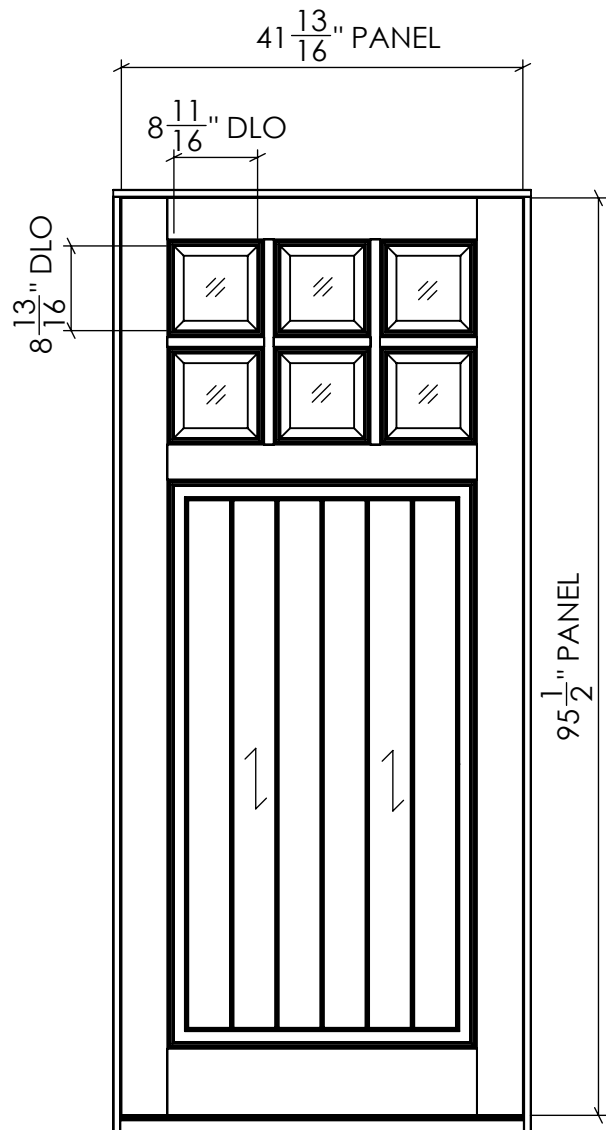
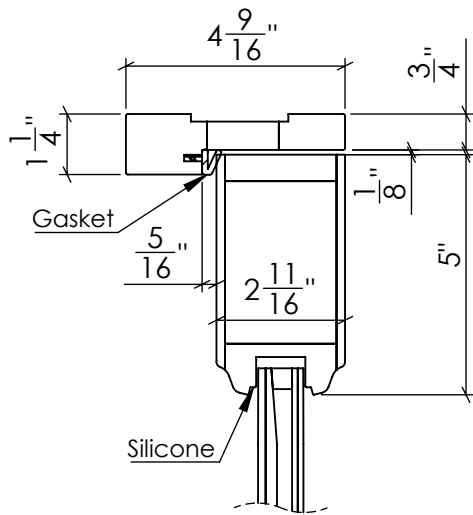


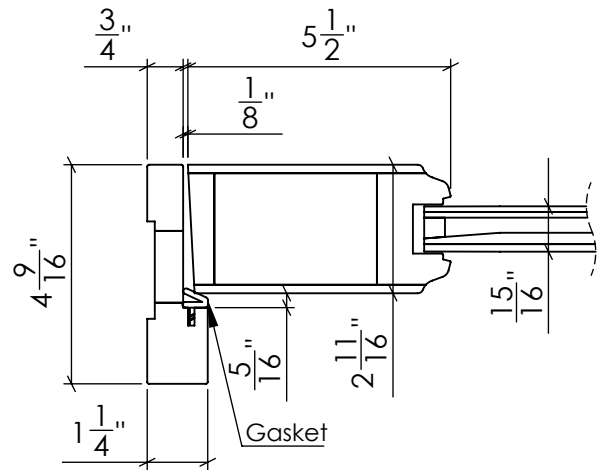
Exterior



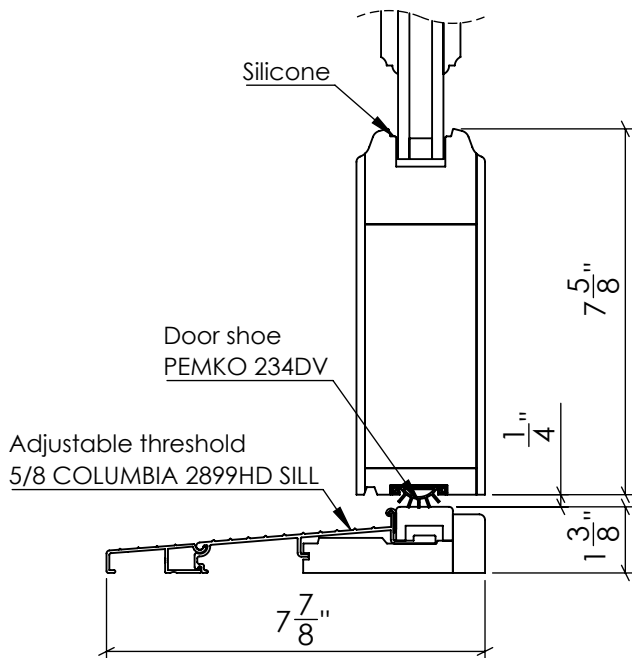
Interior



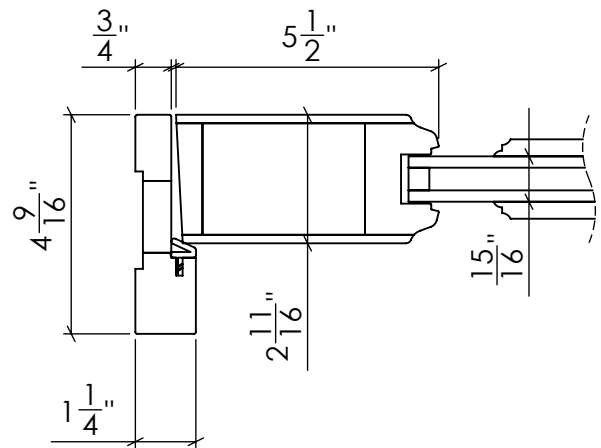
Head detail C-C



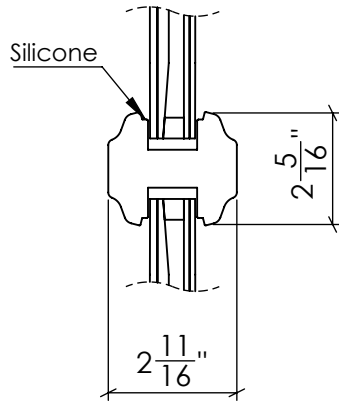
Jamb detail A-A



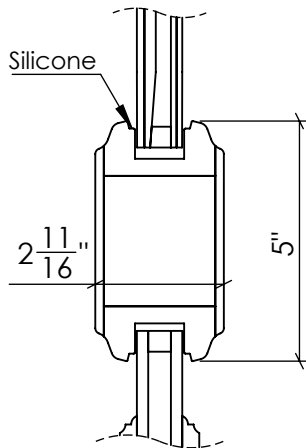
Sill detail C-C



Jamb detail B-B



Divided Lite C-C



Intermediate Rail C-C