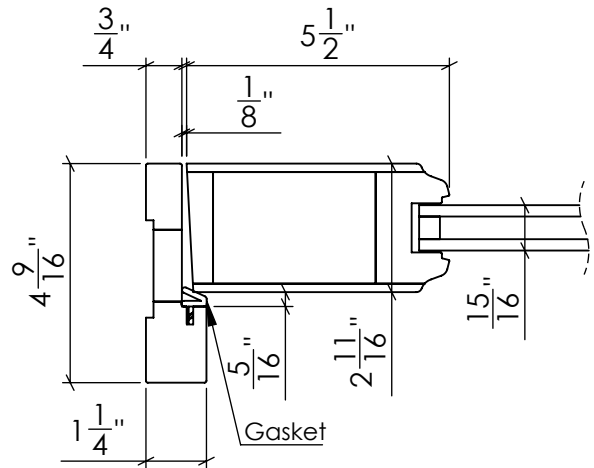
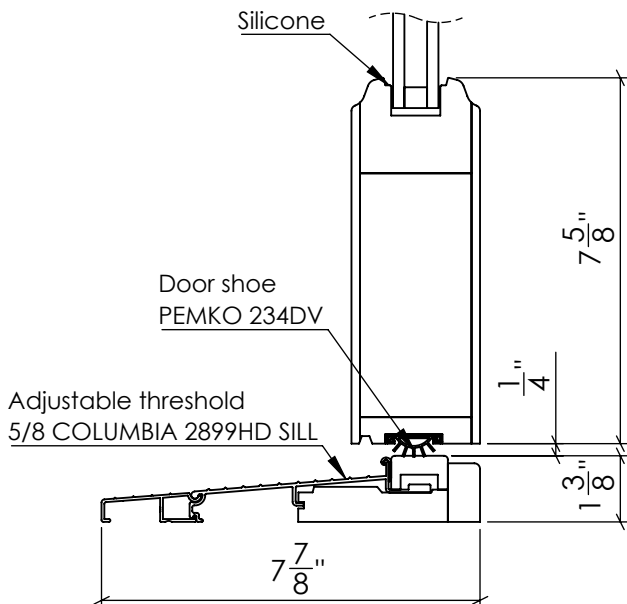


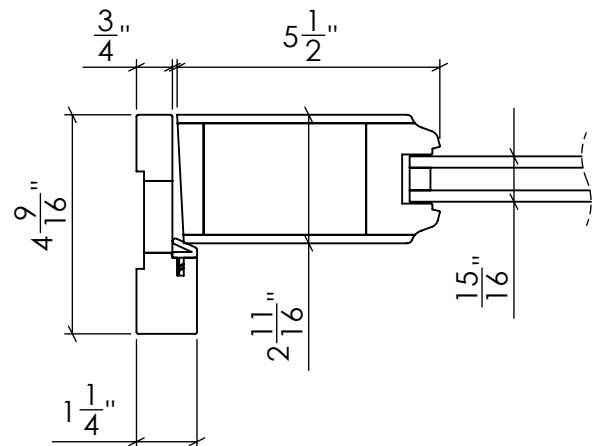
Head detail C-C



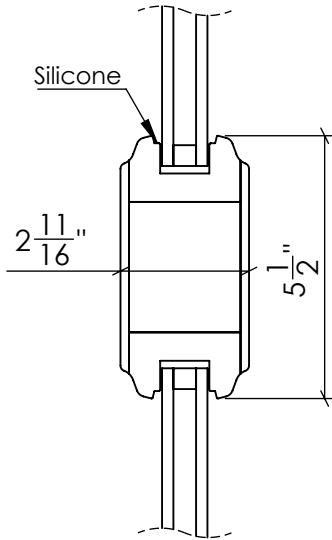
Jamb detail A-A



Sill detail C-C



Jamb detail B-B



Intermediate Rail C-C