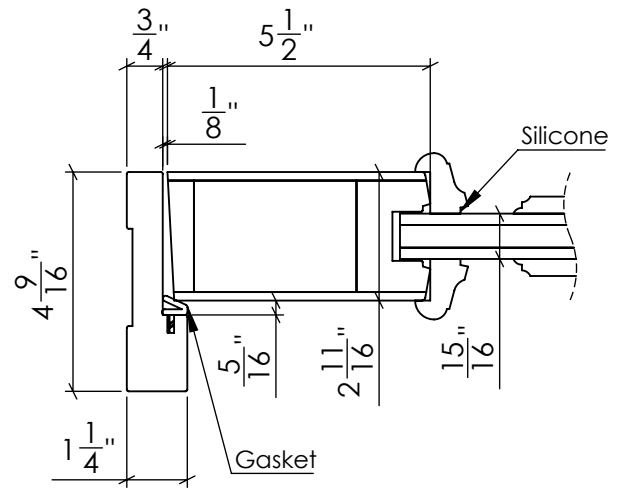
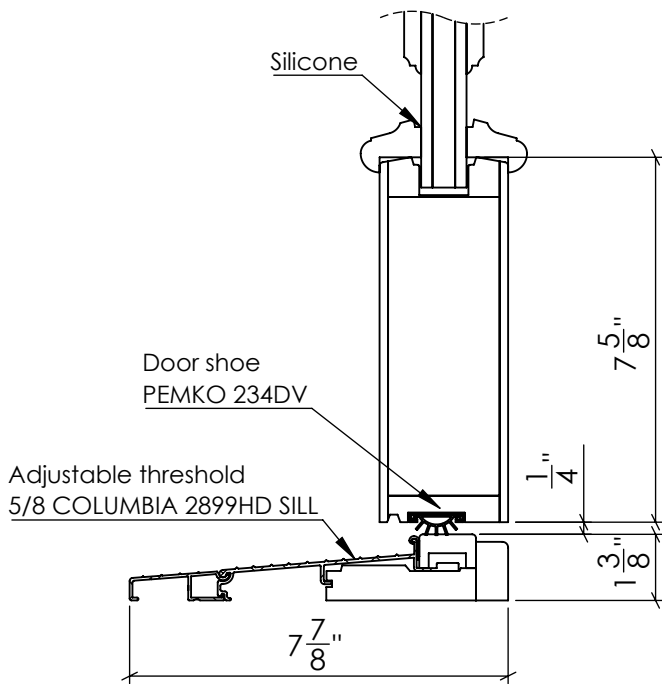


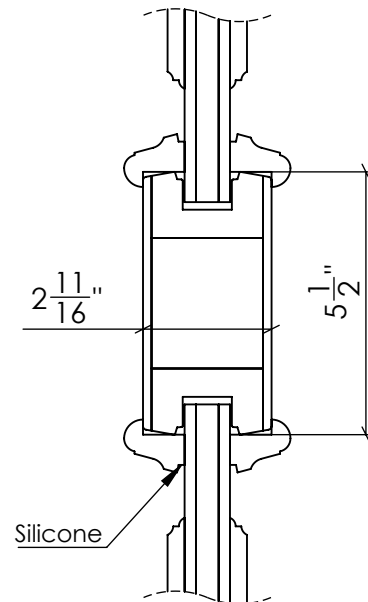
Head detail C-C



Jamb detail A-A / B-B



Sill detail C-C



Intermediate Rail C-C