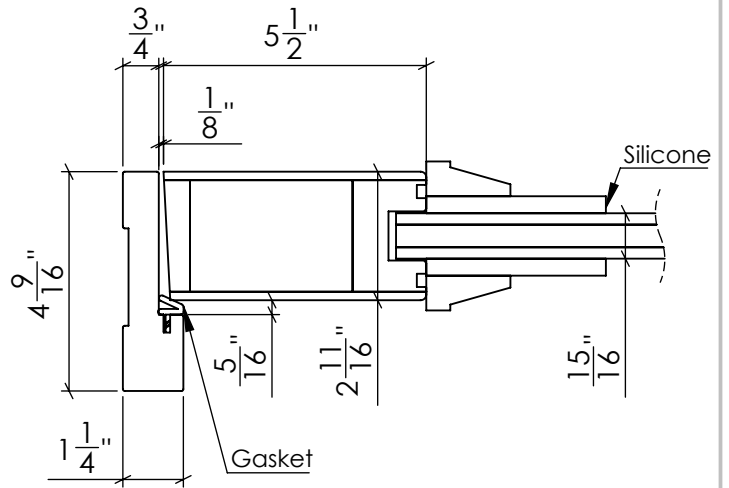
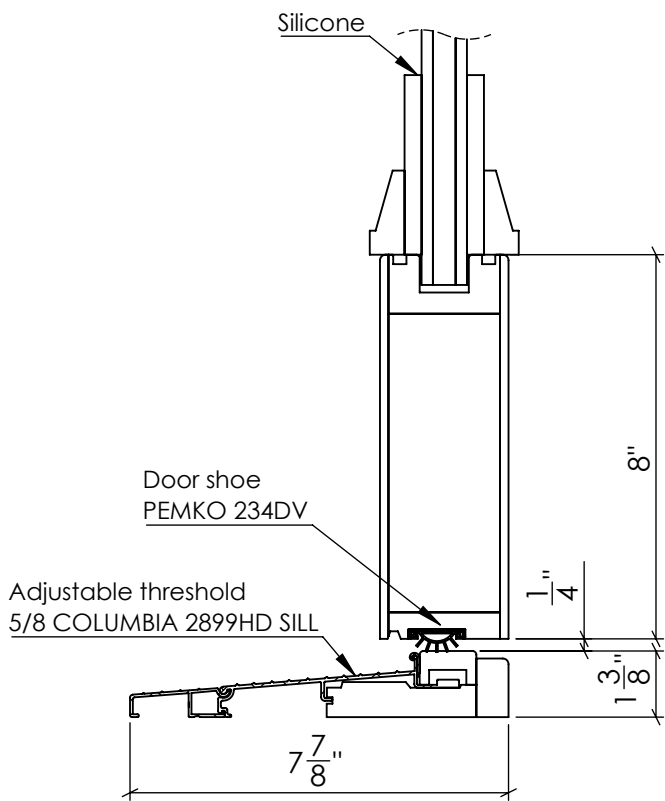


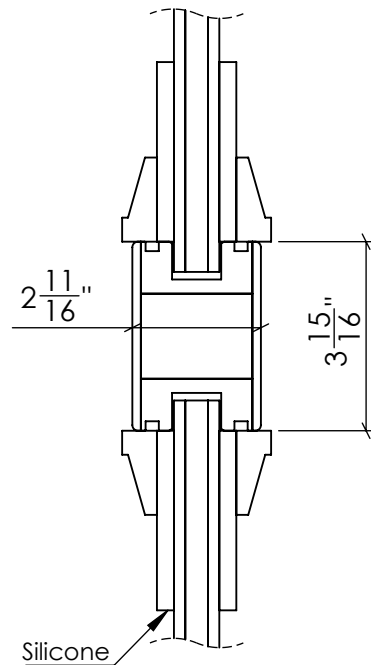
Head detail B-B



Jamb detail A-A



Sill detail B-B



Intermediate Rail B-B