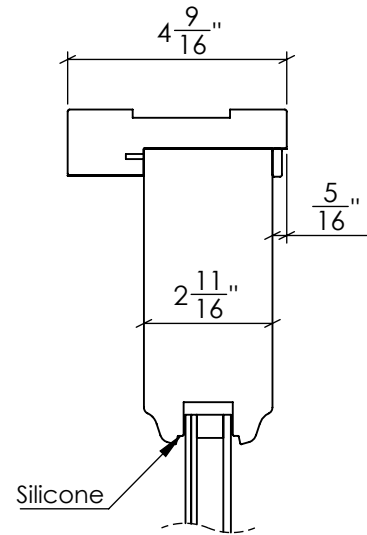
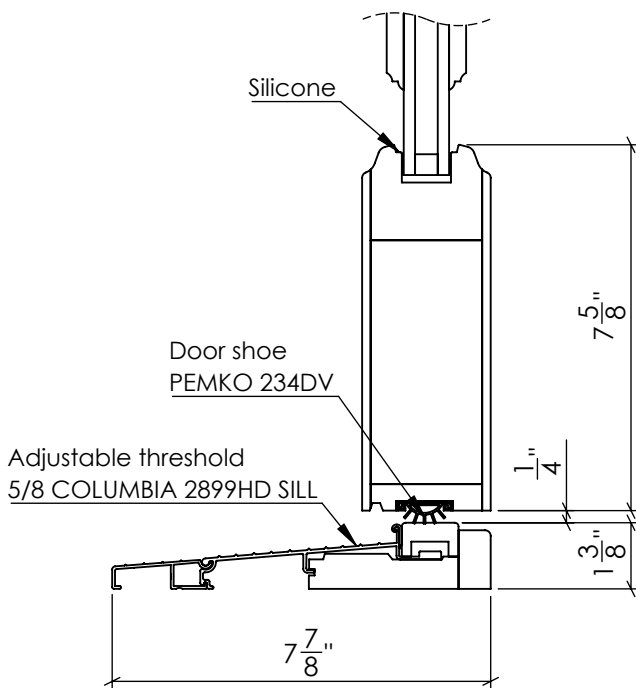


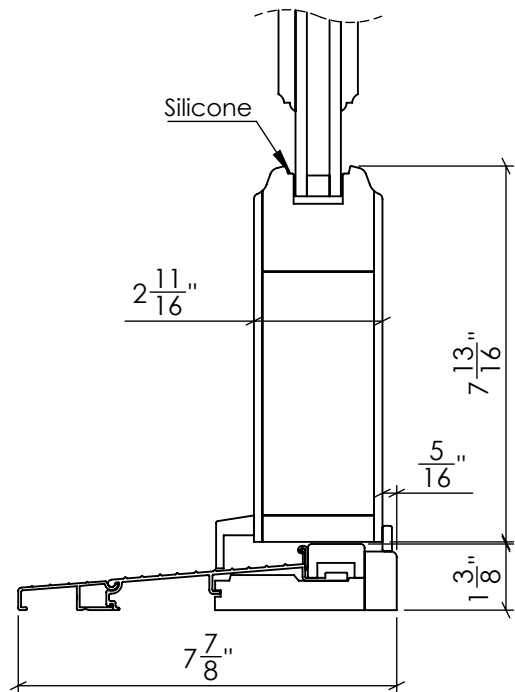
Head detail C-C



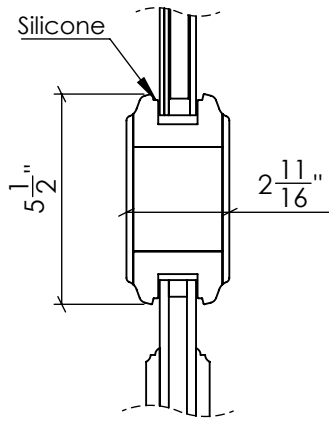
Head detail D-D



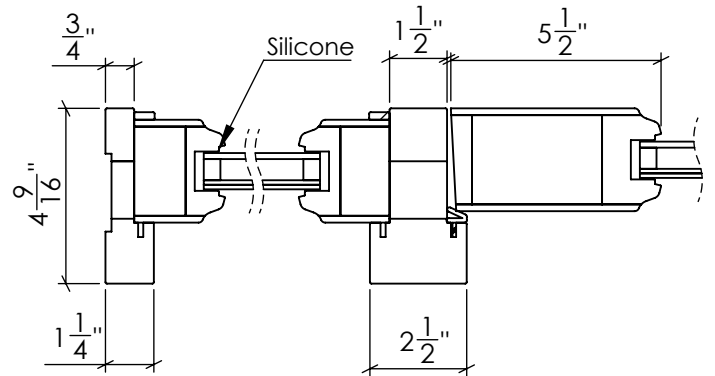
Sill detail C-C



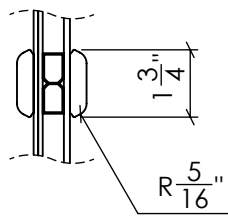
Sill detail D-D



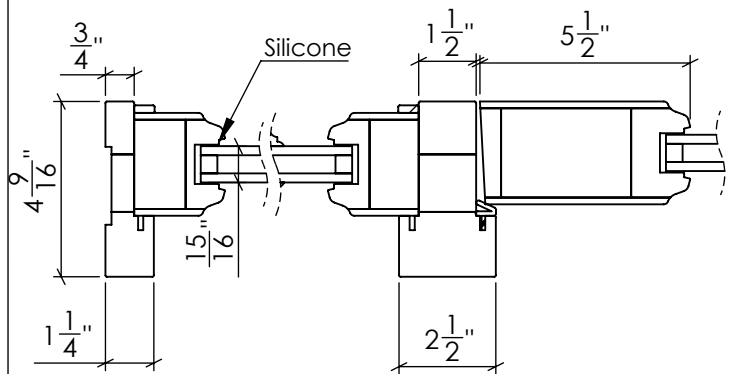
Intermediate Rail C-C/D-D



Jamb detail A-A



Divided Lite D-D



Jamb detail B-B