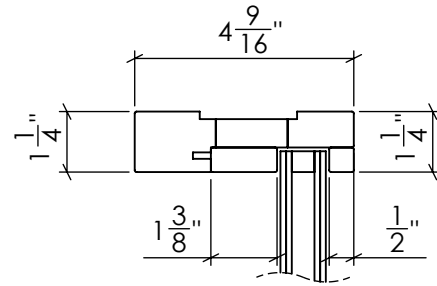
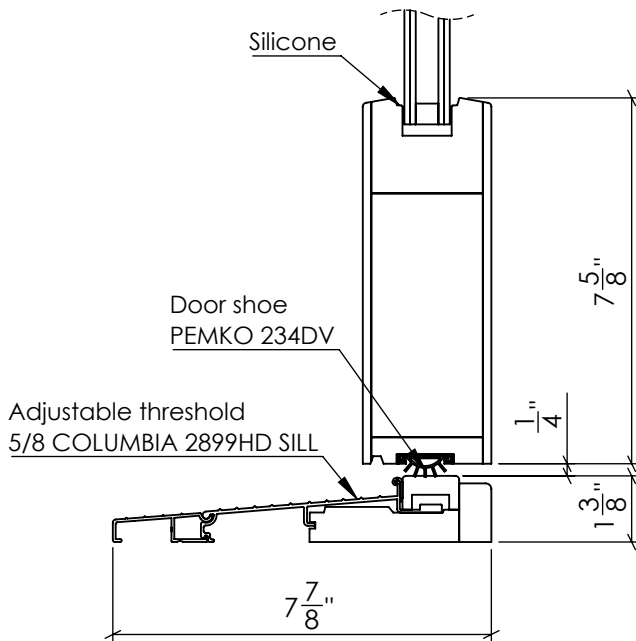


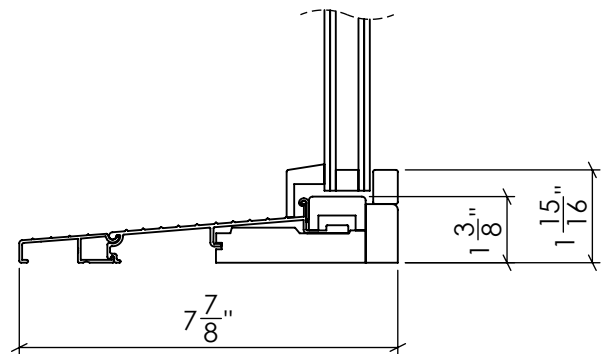
Head detail B-B



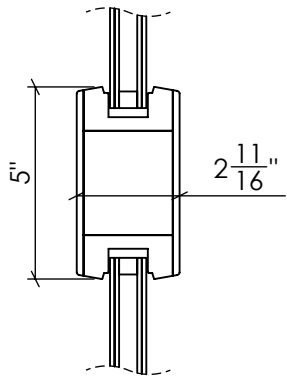
Head detail C-C



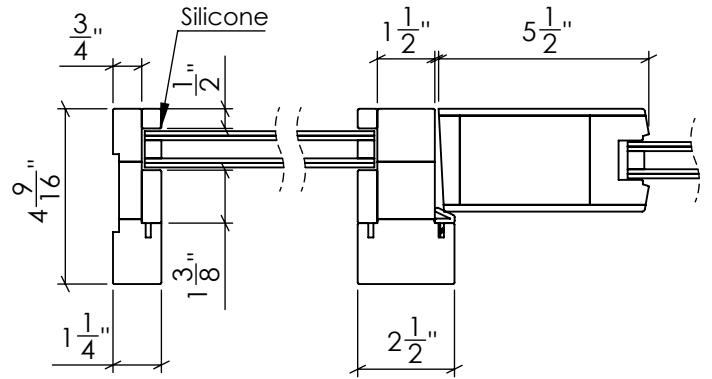
Sill detail B-B



Sill detail C-C



Intermediate Rail B-B



Jamb detail A-A